

SuperBrain FC

Programmable DDC Multi Programs Controller

The SuperBrain FC controller is a free programmable controller specifically designed to control air conditioning units, fan coils, AW and VAV units.

SuperBrain FC controller is the optimal solution for air conditioning units that includes several speed levels, heating elements, cooling \ heating valves or motorized dampers.

Features

- 3 speed fan velocities control.
- Internal clock operation control (stand-alone).
- Heating and cooling solenoid control.
- Input for no flow/temperature protector.
- Time proportional control using Solid State Relay (SSR).
- Input for fire/smoke detector.

Options:

- Operating up to 3 heating elements with 20A relays each.

Input/Output Points

Analog Output or Input: 2x0-10 VDC, 8mA
 Solenoids operation: 2x230VAC, max 150mA
 24VAC, max 150mA
 Fan relays: 3x5A (optional 3x10A)
 Heating element relays: 3x20A (optional)
 SSR output: 24VAC, max 150mA
 Temperature sensor: Room / Duct
 Digital inputs: 3xDry contact

Technical Data

Power Requirements: 230VAC
 60/50 Hz
 30VA

Dimensions (HxWxD):

Thermostat Panel: 160 x 90 x 61 mm
 SB FC power unit: 96 x 158 x 58 mm
 Shipping Weight: 1.169Kg
 Thermostat Panel: 0.08Kg
 SB FC power unit: 1.089Kg

Environmental:

Operation Temperature: -20 ~ +70°C
 Storage Temperature: -20 ~ +70°C
 Humidity: 0 ~ 95 RH%
 non-condensing

Front Panel Protection

IP33

Communication

2 x RS485 port: Up to 115200 bauds.
 Modbus and BACnet



TC Panel room thermostat



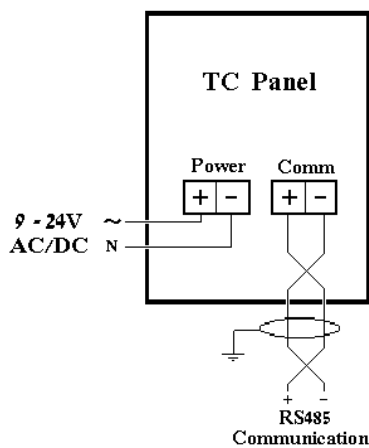
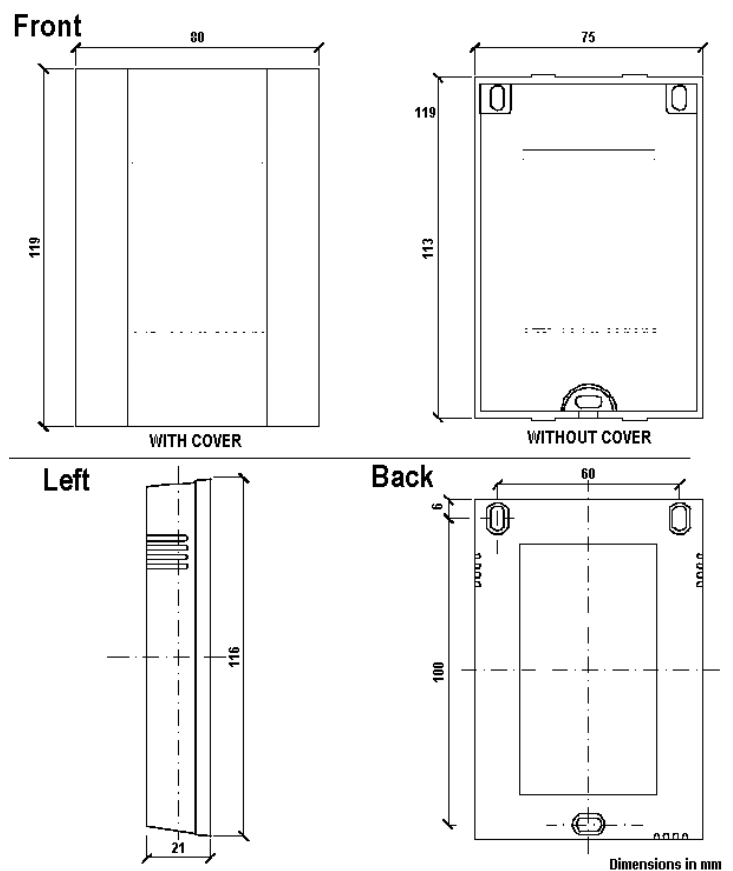
TC Panel is an elegant room thermostat with color LCD display.

The panel can be easily interlocked with any of Control Applications DDC controllers by RS485 Modbus communication (up to 1000 meters) or with any other Modbus master hardware \ software.

Built in temperature sensor, simple installation makes the TC panel to be a most suitable solution for any office, hotel room or other similar room control required solutions.

Technical Data

Power Requirements:	24 VAC / 10VDC
Dimensions (HxWxD):	119 x 80 x 21 mm
Shipping Weight:	0.08 Kg.
Environmental:	
Operation:	-20 ~ +70 °C
Storage:	-20 ~ +70 °C
Humidity:	0 ~ 95 RH% non-condensing
Front Panel Protection:	IP33



Wiring Diagram

Dimensions